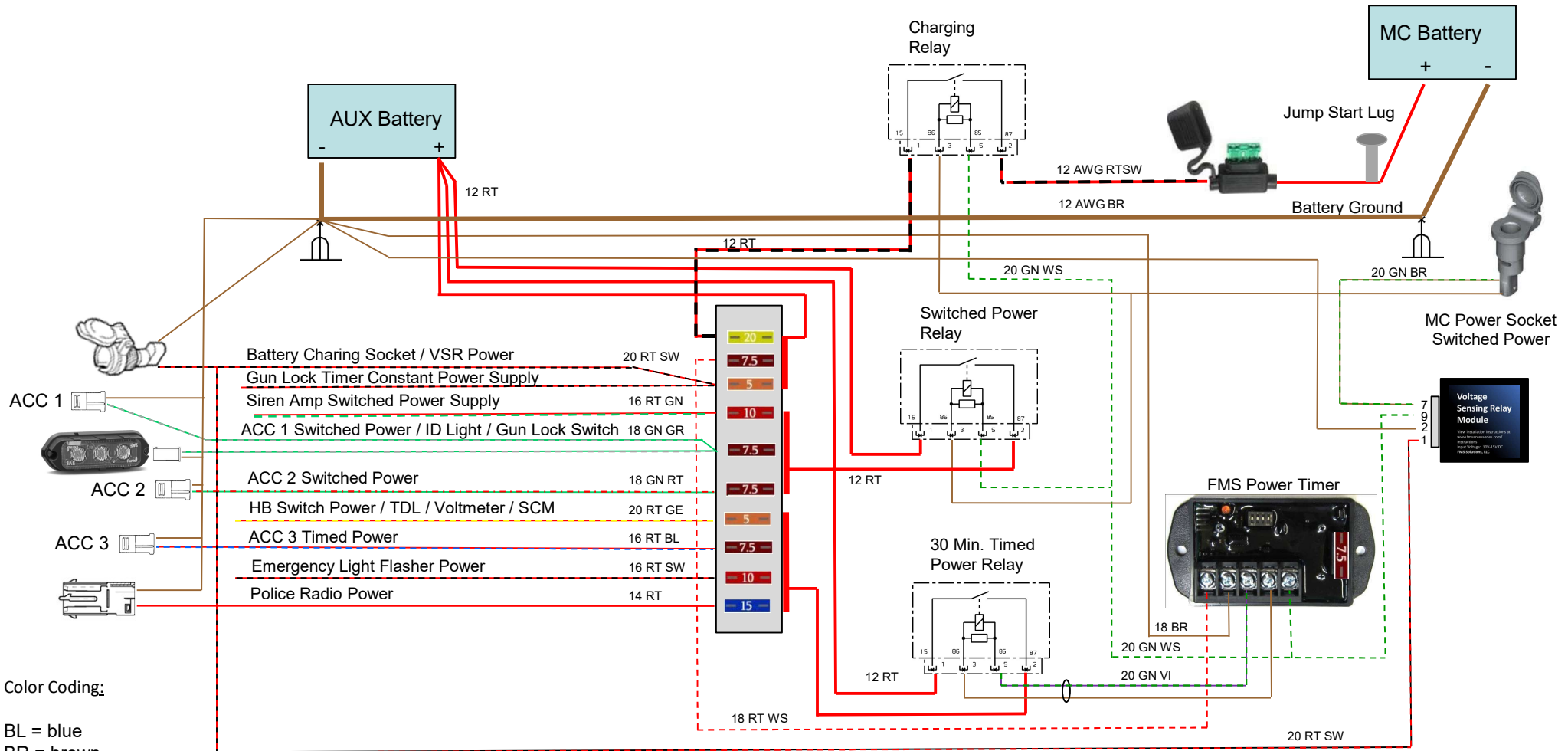


# **R 1250 GS-P Harness**

## **MY 2022 forward**

- Fuses / Power Distribution
- Siren System Connections
- Handlebar Switches / Indicators / Voltmeter
- Accessory and Gun Lock Connections
- LED Emergency Lighting System w/TDL
- Main Harness Plug Connections
- Drilling Templates

# R 1250 GS-P Harness CY 2022 forward Fuse / Power Management



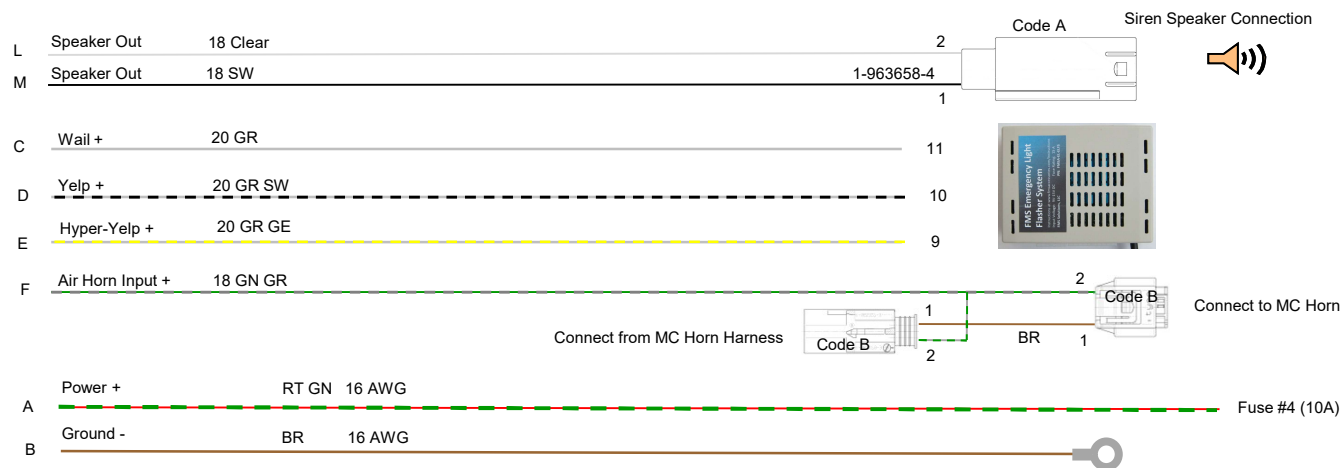
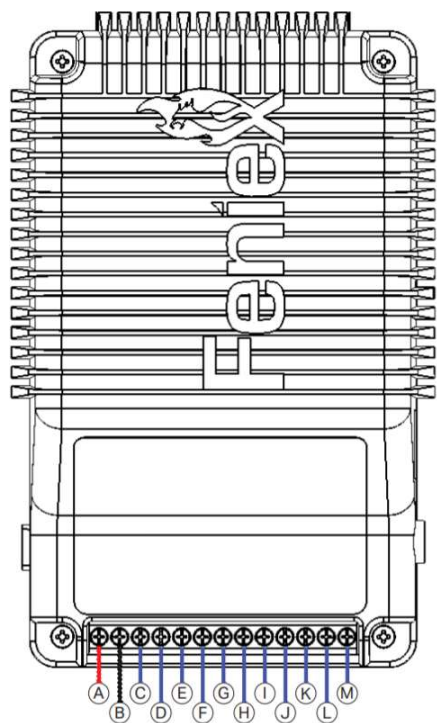
## Color Coding:

- BL = blue
- BR = brown
- GE = yellow
- GN = green
- GR = gray
- RT = red
- OR = orange
- SW = black
- VI = violet
- WS = white
- TR = transparent

# R 1250 GS-P Harness

## MY 2022 forward

### Feniex Siren Connections



#### Color Coding:

- BL = blue
- BR = brown
- GE = yellow
- GN = green
- GR = gray
- RT = red
- OR = orange
- SW = black
- VI = violet
- WS = white
- TR = transparent

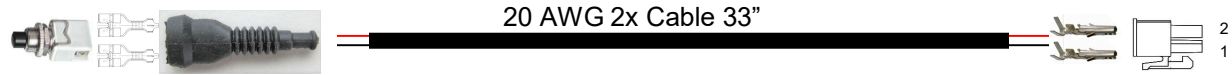
KEY	FUNCTION	POLARITY	CONNECTION
A	Positive	12v (+)	Positive Terminal
B	Ground	12v (-)	Ground Terminal
C	Tone 1	12v (+)	Latching Switch
D	Tone 2	12v (+)	Latching Switch
E	Tone 3	12v (+)	Latching Switch
F	Tone 4	12v (+)	Latching Switch
G	Horn Ring	12v (+)	Vehicle Horn Signal
H	Park Kill	12v (+)	Vehicle Park Signal
I	Rebroadcast	12v (+)	Latching Switch
J	Radio Input	N/A	Radio Speaker Output
K	Radio Input	N/A	Radio Speaker Output
L	100w Speaker	N/A	Speaker Terminal
M	100w Speaker	N/A	Speaker Terminal

# R 1250 GS-P Harness

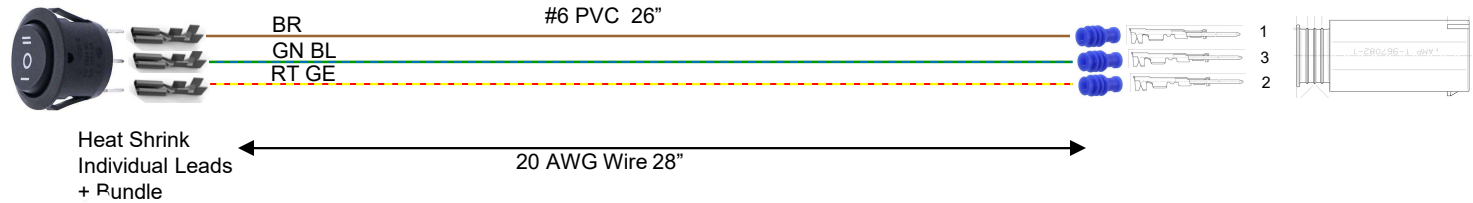
MY 2021 forward

## Radio Speaker, Radar, Map Light and Gun Lock Connections

Siren / EL Push Button Harness



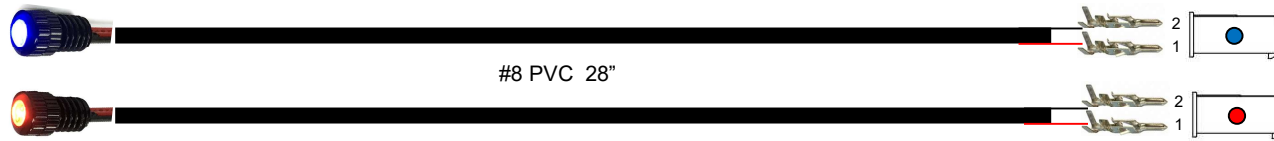
TDL Switch Harness



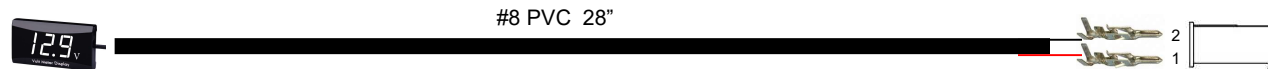
Cruise Switch Harness



LED Indicator Light Harness



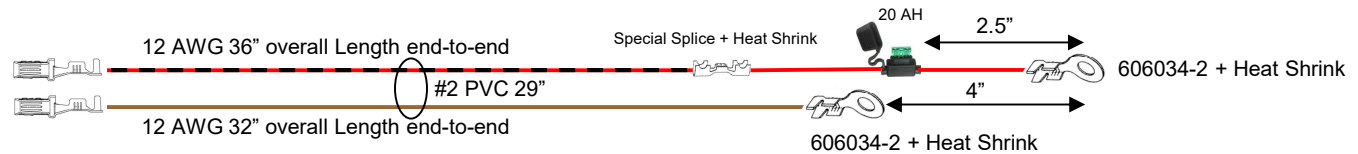
Voltmeter Harness



Color Coding:

- BL = blue
- BR = brown
- GE = yellow
- GN = green
- GR = gray
- RT = red
- OR = orange
- SW = black
- VI = violet
- WS = white
- TR = transparent

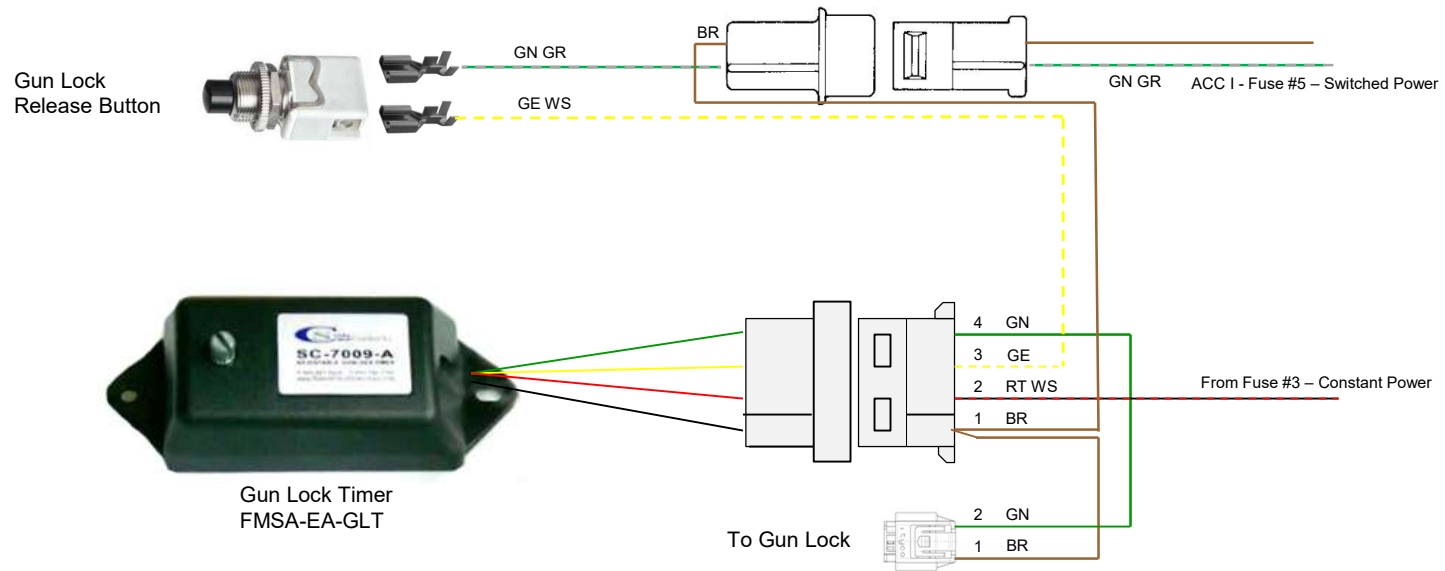
Power Charging Harness



# R 1250 GS-P Harness

## MY 2021 forward

### Gun Lock / Accessory Connections



#### Color Coding:

BL = blue  
 BR = brown  
 GE = yellow  
 GN = green  
 GR = gray  
 RT = red  
 OR = orange  
 SW = black  
 VI = violet  
 WS = white  
 TR = transparent

# R 1250 GS-P Harness

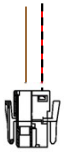
## MY 2022 GEN 2

### LED Emergency Lights

### FMS EL Flasher Module



RT SW  
EL Power Fuse #9



#### Dip Switches

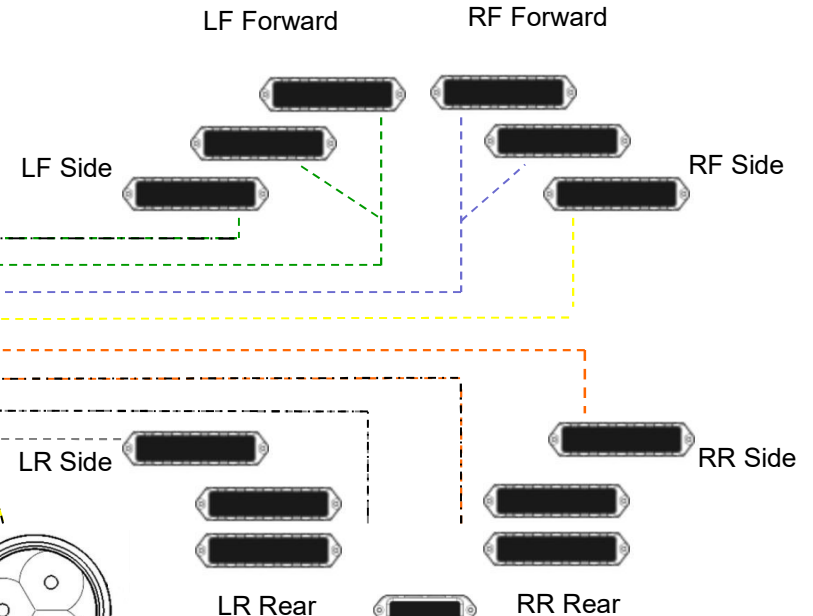


- 1 CA Mode (LF Steady Burn / No Hyper-Yelp)
- 2 Alternate Light Activation Sequence
- 3 Not Yet Assigned
- 4 Not Yet Assigned

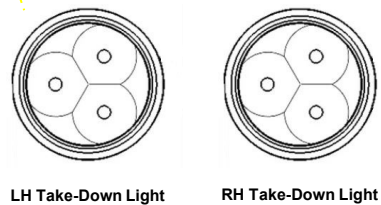
Pins 1-10 = Ground



- 17 WS GN SW
- 19 WS GN
- 20 WS VI
- 18 WS GE
- 16 WS OR
- 14 WS OR SW
- 13 WS GR SW
- 15 WS GR
- 11 GE SW
- 12 GE WS



- 7 WS GR — R Indicator
- 11 WS SW — F Indicator
- 5 GN BL — TDL Button
- 12 BR GR GE — Cruise Light Button
- 6 OR SW — EL Button
- 4 OR — Siren Button
- 8 GR — Siren Wail
- 9 GR SW — Siren Yelp
- 10 GR GE — Siren Hyper-Yelp
- 3 GR SW GE — Brake Light Input (not used)
- 2 GN VI — Ignition Power (not used)
- 1 BR — Ground (not used)



GN GR  
From ACC I Fuse

- Color Coding:**
- BL = blue
  - BR = brown
  - GE = yellow
  - GN = green
  - GR = gray
  - RT = red
  - OR = orange
  - SW = black
  - VI = violet
  - WS = white
  - TR = transparent

Color Coding:

- BL = blue
- BR = brown
- GE = yellow
- GN = green
- GR = gray
- RT = red
- OR = orange
- SW = black
- VI = violet
- WS = white
- TR = transparent

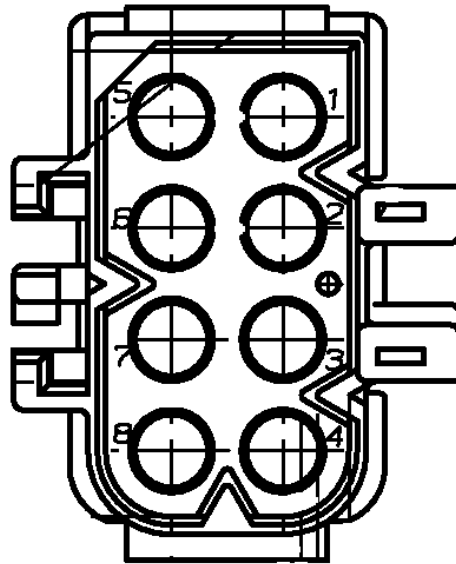
# R 1250 GS-P Harness MY 2021 forward Harness Plug Layout

BR 12 AWG

Empty

SW 18 AWG

BR 16 AWG

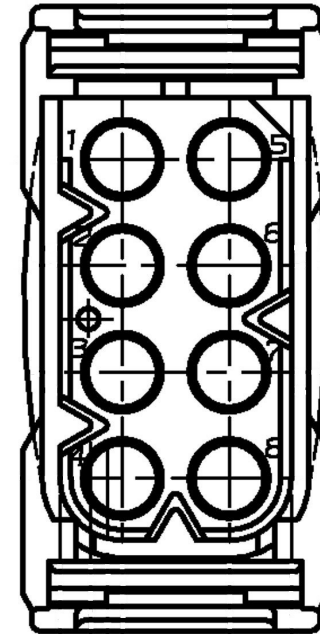


RT SW 12 AWG

GN WS 18 AWG

WS 18 AWG

Empty



BR 12 AWG

Empty

SW 18 AWG

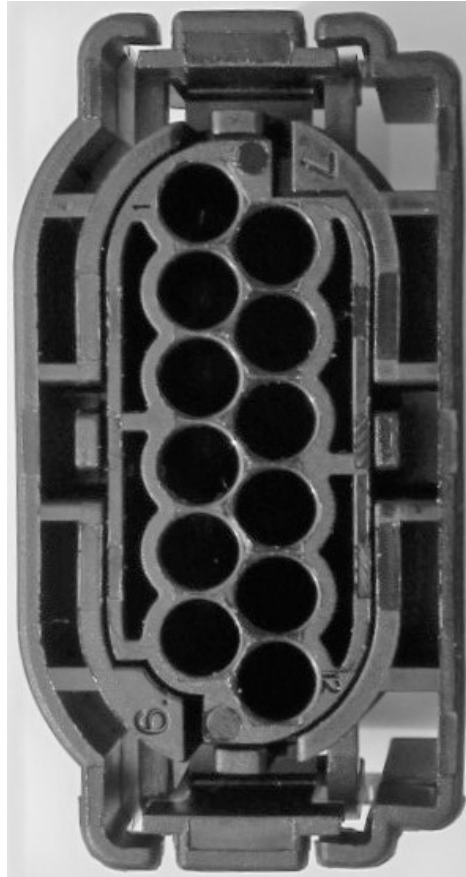
BR 16 AWG

Color Coding:

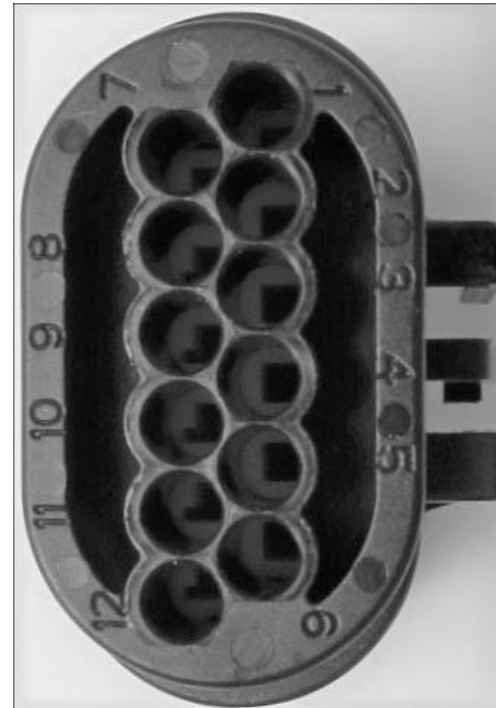
- BL = blue
- BR = brown
- GE = yellow
- GN = green
- GR = gray
- RT = red
- OR = orange
- SW = black
- VI = violet
- WS = white
- TR = transparent

# R 1250 GS-P Harness MY 2021 forward Harness Plug Layout

- 1-WS VI
- 2-WS GN
- 3-WS GE
- 4-WS GR
- 5-WS GN SW
- 6-GN GR

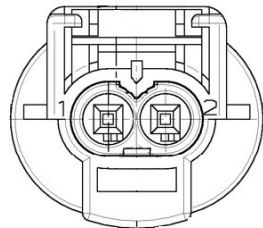


- 7-RT GE
- 8-GE SW
- 9-GE WS
- 10-OR
- 11-OR SW
- 12-GN BL



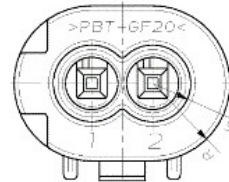
- 1-WS VI
- 2-WS GN
- 3-WS GE
- 4-WS GR
- 5-WS GN SW
- 6-GN GR

1-BR GR GE



2-WS SW

1-BR GR GE



2-WS SW



A ●

B ●

R 1250 GS-P  
Jesse Pizza Box  
Drilling Template  
FMS-0063-006

LH

RH

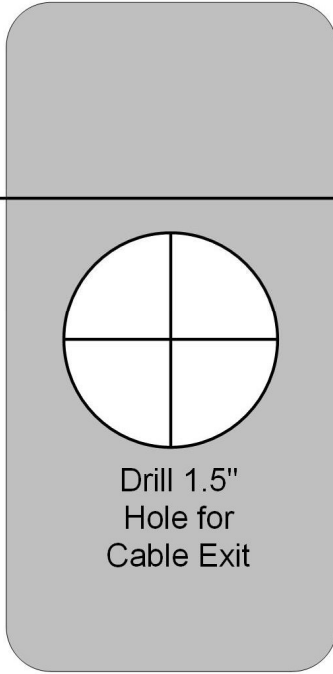
Measure  
6.50" to  
center line of  
Box.



B



C



Drill 1.5"  
Hole for  
Cable Exit

06.30

14.80



B



B

**R 1250 GS-P Rear Box**  
**MY 2021 forward**  
**Light Placement**

